

# ROPE OPENER EVOTECH

The **Evotech** lines for wet fabric facilitate the opening and slitting of rope tubular knitted fabric after washing, dyeing and reprocessing.

**Bianco® Evotech lines include:**

- Rope Opener
- Slitting Line/Rope Opener Relax
- Slitting Line/Rope Opener Tensionless



## EVOTECH ROPE OPENER

The **Bianco® Rope Opener** line is used for the opening of both knitted and woven fabrics after bleaching, washing, dyeing and reprocessing. It allows high working speeds and guarantees excellent results in terms of fabric opening without any manual intervention. The full height adjustable Fluo sensor automatically adjusts the centring of the fabric without the need for operator intervention. Two rubber covered driven calenders pull the fabric through. The dancing roller at the exit guarantees perfect synchrony without elongation.

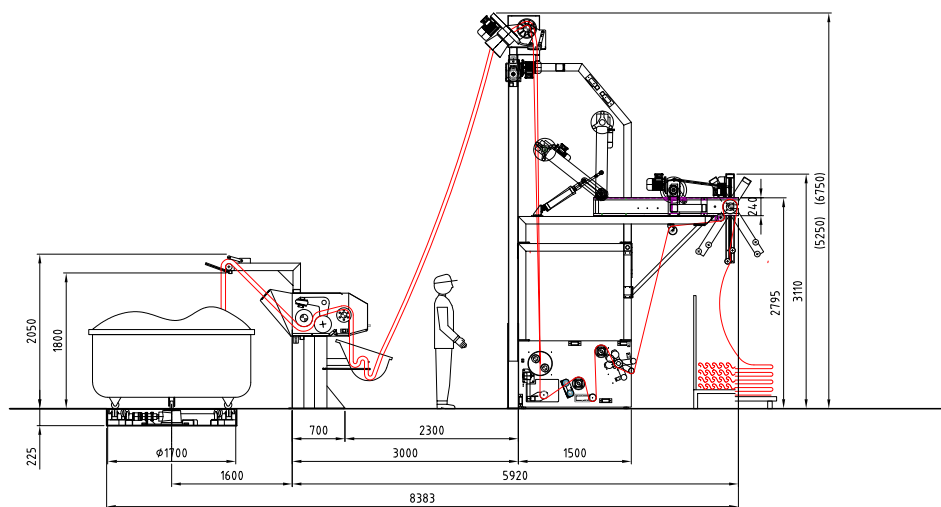
<b>overall dimensions L x H x W</b>	depending on the configuration
<b>material</b>	stainless steel
<b>turntable diameter</b>	1700mm (on request 2000)
<b>rollers width</b>	from 2000 mm to 3000 mm
<b>fabric width</b>	from 1800mm to 3800mm
<b>max mechanical speed</b>	120 m/min
<b>max compressed air</b>	6 bar
<b>standard voltage</b>	3x400VAC-50Hz or others on request
<b>installed power</b>	10 kW rope opener 20 kW with Padder 28/47 kW with Vacuum System
<b>motorization</b>	AC controlled by inverter
<b>padder rollers diameter</b>	290mm
<b>maximum load foulard squeezing</b>	503 kg/cm
<b>ambient temperature</b>	from 0° to + 55 ° (optional A/C for electrical cabinet)
<b>noise</b>	<75db(A)
<b>operator pannel</b>	Schneider color touch screen
<b>control PLC</b>	Schneider
<b>teleservice</b>	optional



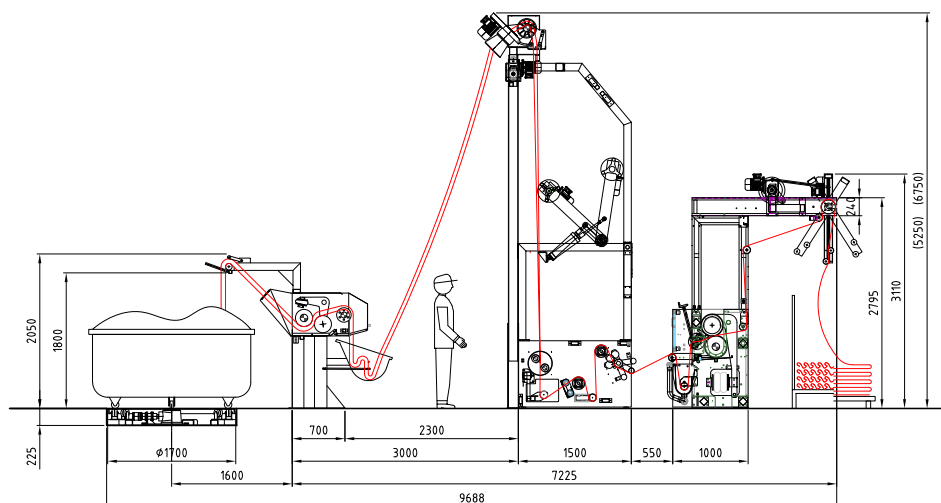
www.bianco-spa.com

# EVOTECH ROPE OPENER

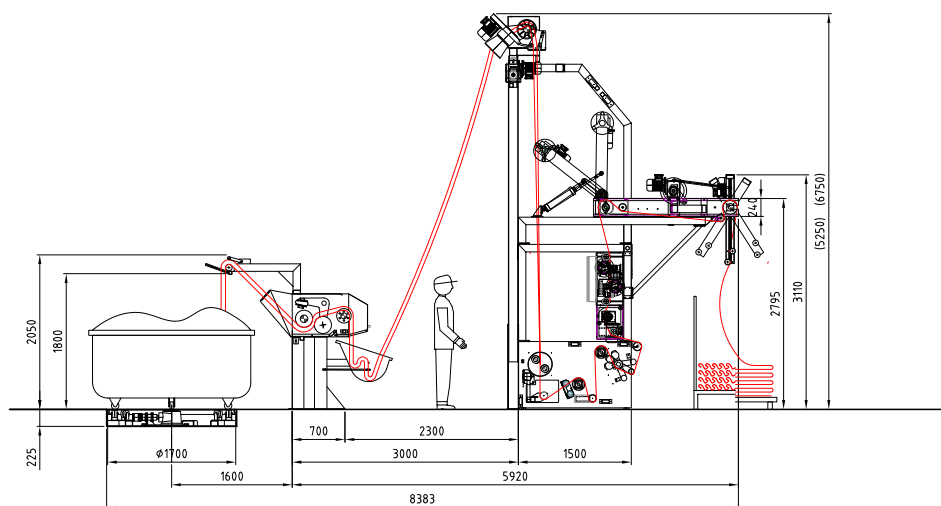
The **Evotech** lines for wet fabric facilitate the opening and slitting of rope tubular knitted fabric after washing, dyeing and reprocessing.



**Bianco® Evotech Rope Opener**



**Bianco® Evotech Rope Opener with Padder**



**Bianco® Evotech Rope Opener with Vacuum System**